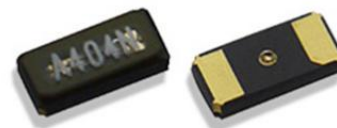


Features

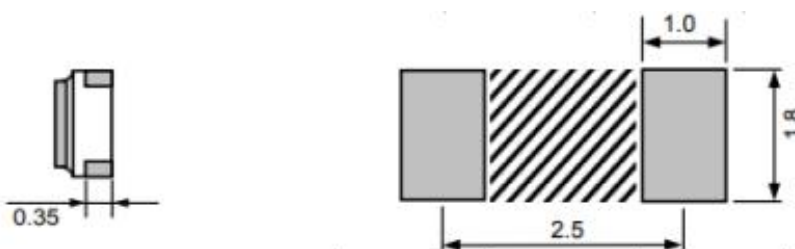
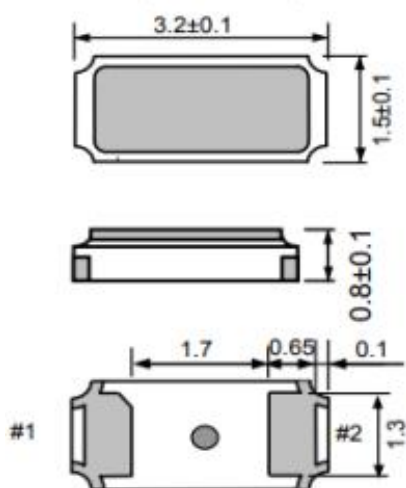
- 2 pads surface mount package;
- Wearable products;
- Low power MCUs for sub-clock;
- Wireless modules for sub-clock;
- This product contains Lead (Pb) exempted under Exemption



Crystals specifications

ITEMS(项目)	PARAMETER(规格说明)G31
Nominal Frequency Range	32.768KHZ
Equivalent Series Resistance	70KΩMax.
Drive Level	1.0μWMax
Frequency Tolerance (at 25 °C)	± 10 ppm, ± 20 ppm, or specify
The inflection point temperature	+25°C± 5°C
Frequency temperature coefficient	-0.04×10 ⁻⁶ /°C ² Max
Operating Temperature Range	-40 ~ +85 °C, or specify
Insulation Resistance	500MΩmin./DC100V
Shunt Capacitance (C0)	1.0pF TYP
Motional Capacitance(C1)	3.4fF TYP
Load Capacitance	7pF, 9pF, 12.5 pF, or specify
Aging (at 25 °C)	± 3 ppm / year Max.
Storage Temperature Range	-40~+105°C
Packing Unit(包装单位)	3,000pcs/Reel

Dimensions and patterns(unit:mm)



请勿在阴影区域设计其它线路和焊盘

